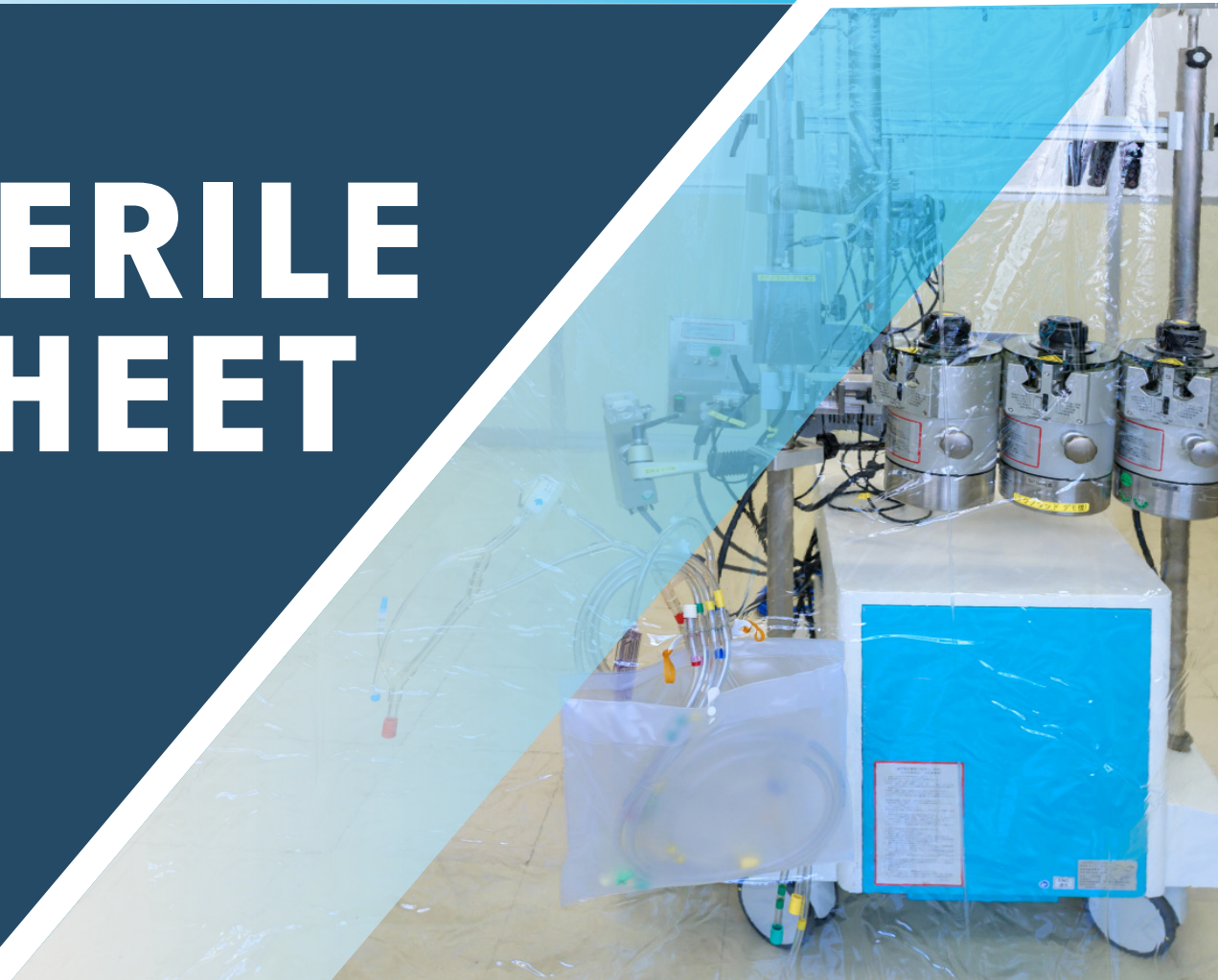


Technowood®

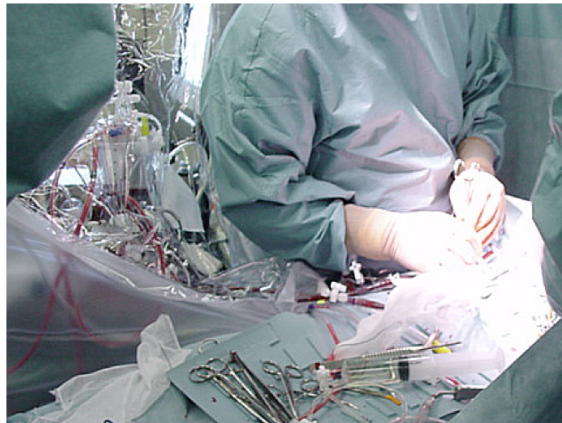
**STERILE
SHEET**



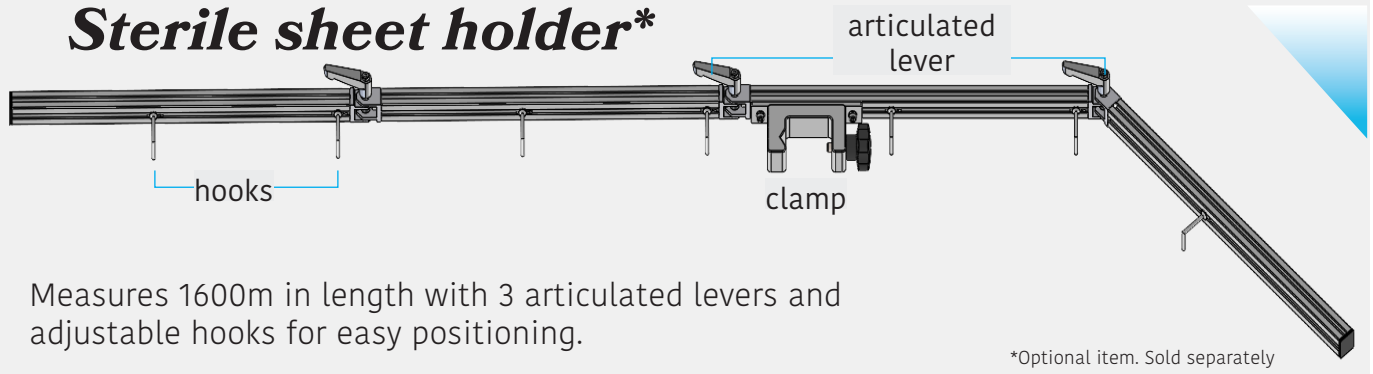
PTS NEO
PERFUSION TUBING SET

STERILE SHEET

- By placing a transparent sheet between the surgical field and the heart-lung machine, the oxygenator, reservoir and pumps can be brought closer to the surgical field without compromising the sterile area.
- The circuit tubing length can be greatly shortened, and safe extracorporeal circulation can be performed with a low priming volume.
- This low priming volume method has been shown to reduce the need for allogeneic blood transfusion in pediatric patients.



*Sterile sheet holder**



Measures 1600m in length with 3 articulated levers and adjustable hooks for easy positioning.

*Optional item. Sold separately

Setup guide

Drape the sterile sheet on the holder via the hooks with the colored side towards the surgical side. The surgical drape can be peeled off once ready to setup the sterile field. Once the drape is off, the patient lines of the circuit can be accessed from inside the "kangaroo pocket."



kangaroo pocket



The kangaroo pocket can be fastened with a button.

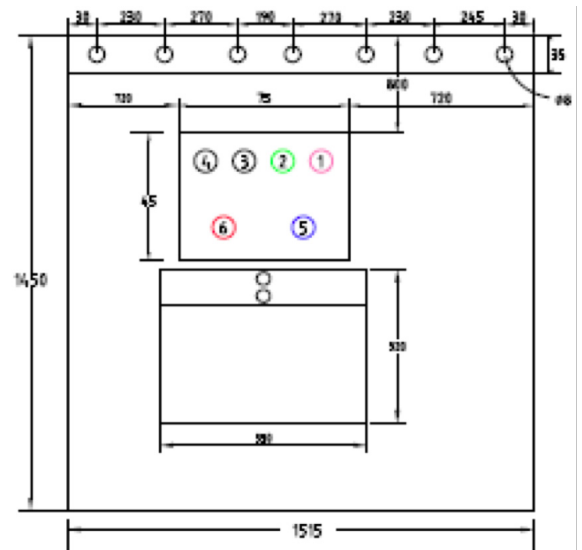
The patient lines of the circuit are neatly tucked inside the kangaroo pocket and can be easily accessed once needed.

Perfusion tubing set with sterile sheet

The circuit can be customized for better usability. The following can be modified to your needs:

1. kangaroo pocket position
2. number and size of tubings
3. layout of each tubing

Catches that can be fastened on the surgical table to bring it closer to the operator side, which can further reduce the needed tubing length.



Sample layout for the tubing embedded through the sterile sheet.



Technowood®

www.technowood.co.jp



JAPAN

Technowood Corporation

Tel: +81 (3) 3856-4111

Fax: +81 (3) 3856-4113

USA

Technowood America Corporation

Tel: +1 (714) 434-8713

Fax: +1 (714) 434-8715

INTERNATIONAL

Technowood International Pte. Ltd.

Tel: +81 (3) 3898-5252

Fax: +81 (3) 3898-5252

Please refer to the Instructions For Use for details.
Terms and conditions may change without prior notice.